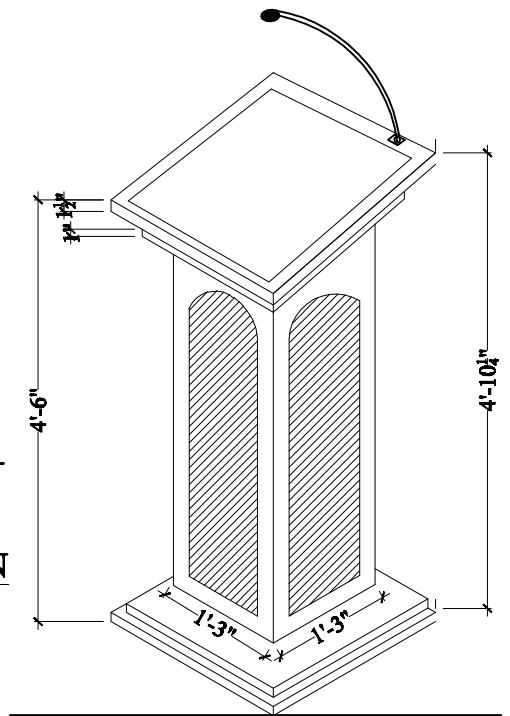
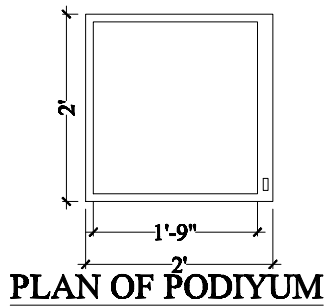


**FRONT ELEVATION**

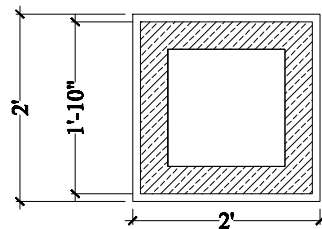
**SIDE ELEVATION**



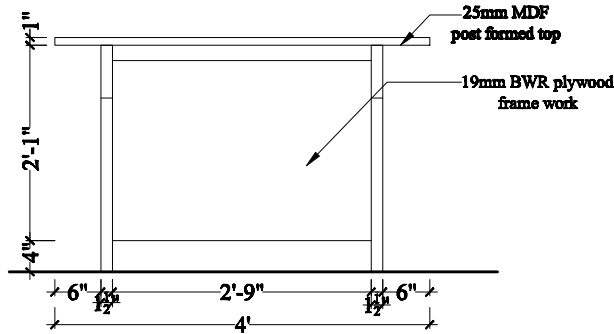
**ISOMETRIC VIEW**



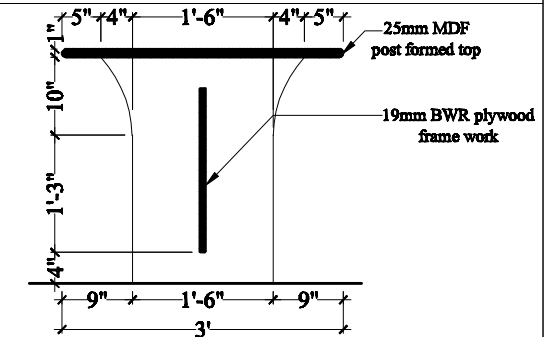
**PLAN OF PODIUM**



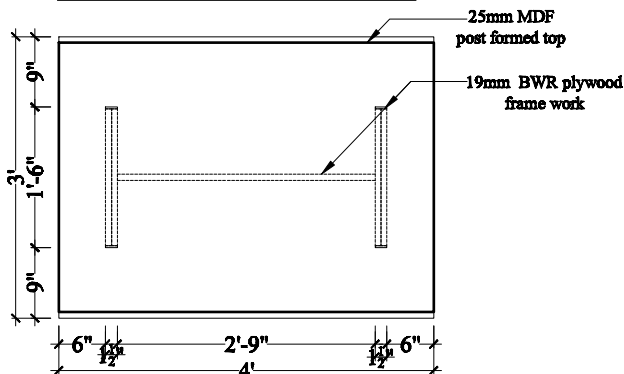
**CROSS SECTION**



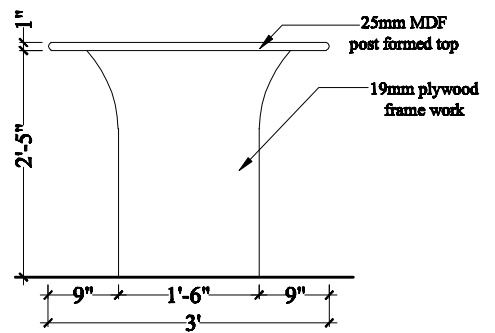
**ELEVATION OF LIBRARY TABLE**



**CROSS SECTION OF LIBRARY TABLE**



**PLAN OF LIBRARY TABLE**



**SHORTER SIDE ELEVATION**

NOTE:  
THIS DRAWING OR DESIGN IS COPYRIGHT. IT IS THE PROPERTY OF THE ARCHITECTS OR DESIGNERS AND IS NOT TO BE REPRODUCED, COPIED OR HANDED OVER TO A THIRD PARTY OR USED FOR ANY PURPOSE OTHER THAN THAT FOR WHICH IT HAS BEEN ACTUALLY LOANED. READ THE DRAWING, DO NOT MEASURE IT. INFORM THE ARCHITECTS OR DESIGNERS OF ANY DISCREPANCIES IN THE DRAWING IMMEDIATELY.

**PROPOSED INTERIOR DESIGN TO CREATING  
TRAINING CENTRE FOR ORIENTAL INSURANCE  
COMPANY AT TEYNAMPET CHENNAI**

**TITLE:-  
LIBRARY TABLE  
& PODIUM  
DETAIL**

SCALE : 1" = 20"  
DATE : 20-05-2017  
DRN BY:  
DRG NO: TENDER-6  
JOB NO:  
CHK BY: R.KANNAN

**FOARCONS**  
FORUM ARCHITECTURAL CONSULTANTS  
GANGA FLATS, 3/2 - NAKKIRAR STREET,  
WEST MAMBALAM, CHENNAI - 600 033.  
PH: 32522748, 24812179, FAX 24812182.